

Data Sheet

Excel Life™

Common Plate - Double Powerpoint, 10A

CAT NO. **EC777WE**



Cat No	EC777WE
Description	Excel Life Common Plate Double Powerpoint, 10A
Supply voltage	230 - 240V a.c.
Current rating	10A
Colour	White
Plate size	74 H x 118 W x 10 D mm
Mounting centres	84mm
Compliance	AS/NZS 3112

Excel Life™ Common Plate - Double Powerpoint, 10A



CAT NO. **EC777WE**



- Inline terminals for easier installation
- Internal safety shutters for extra safety
- More fixing options - 4 corners
- Retained terminal screws
- Uniform external surround - fits all switches and powerpoints in the Common Plate series

Single product	
Cat No	Barcode
EC777WE	9321001396314

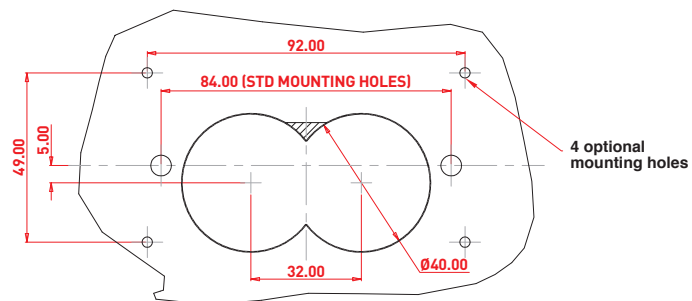
Inner box (QTY 10)		
Cat No	Barcode	Dimensions
EC777WE	9321001396321	160 x 160 x 120mm

Outer box (QTY 120)		
Cat No	Barcode	Dimensions
EC777WE	9321001396338	499 x 333 x 266mm

Glass and tile cut-out dimensions:



Timber cut-out dimensions:



HPM Legrand - AUS
1300 369 777
www.legrand.com.au
ABN 31 000 102 661

HPM Legrand - NZ
0800 476 009
www.legrand.co.nz

Refer to your group buying office, HPM Legrand Sales Representative or HPM Legrand Sales Office for pricing.